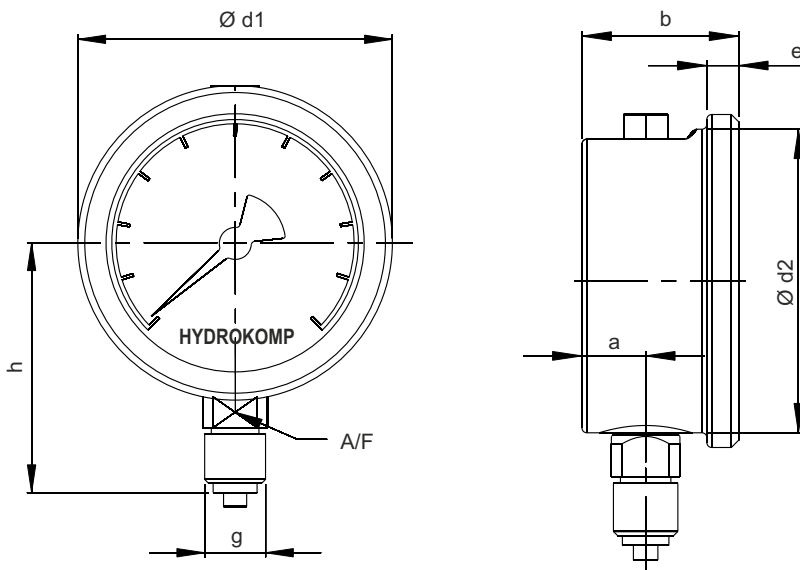


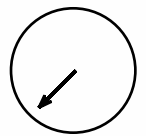
PRESSURE GAUGES

with glycerin filling and screw plug



Webcode: 060003

Other designs are available on request



Pressure gauges with glycerin filling and screw plug M6 x 0,75

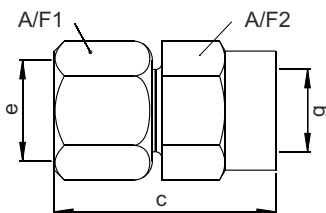
Measuring range:	a	b	Ø d1	Ø d2	g	h±1	A/F	Order no.:
0-250 bar	13	32	68	62	G1/4	54	14	8200-008
0-400 bar	13	32	68	62	G1/4	54	14	8200-007
0-600 bar	13	32	68	62	G1/4	54	14	8200-000

Description:

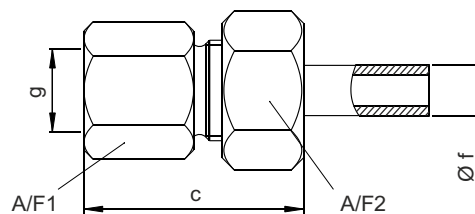
The stationary screw plug within the housing of the pressure gauge prevents the ingress of other fluids and therefore offers high safety for reading purposes and functioning.

The pressure gauges are applicable for measuring points with high dynamic compressive loads and vibrations within the hydraulic.

Thread connection



Pipe connection

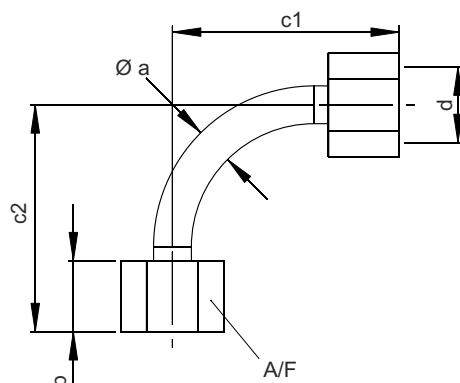


Gauge screw connections

Connection:	Pressure:	c	e	Ø f	g	A/F1	A/F2	Order no.:
Thread	0-250 bar	35,5	M16x1,5	-	G1/4	19	17	7900-012
Thread	0-500 bar	35,5	M16x1,5	-	G1/4	19	19	7900-019
Pipe	0-250 bar	39,0	-	8	G1/4	19	17	7900-020
Pipe	0-500 bar	41,0	-	8	G1/4	19	19	7900-021

Features:

- ☒ Type: EN 837-1
- ☒ Accuracy class: 1.6
- ☒ Operating temp.: -20° up to +60° C
- ☒ Protection grade: IP 65 according to EN 60529/IEC 529
- ☒ Damping fluid: glycerin 99,7 %
- ☒ Display: plastics, crystal clear
- ☒ Display range: (see table)
- ☒ Vibration and shock resistant



Pipe bends

Pressure range:	Ø a	b	c1	c2	d	A/F	Order no.:
0-250 bar	8	15	48	48	M14 x 1,5	17	7900-022
0-500 bar	8	16	48	76	M16 x 1,5	19	7900-023



Siemensstraße 16, 35325 Mücke (Germany)
 Phone: +49 6401 225999-0
 Fax: +49 6401 225999-50
 E-mail: info@hydrokomp.de
 Internet: www.hydrokomp.de